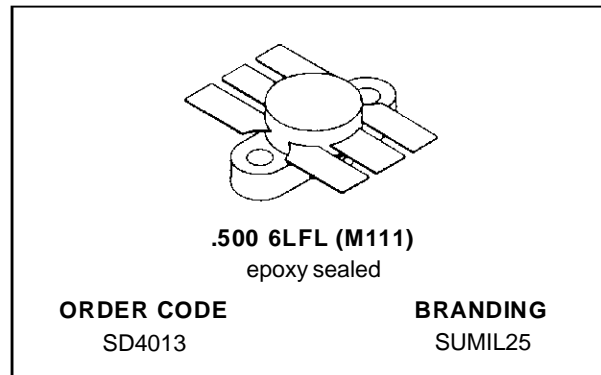


RF & MICROWAVE TRANSISTORS UHF COMMUNICATIONS APPLICATIONS

PRELIMINARY DATA

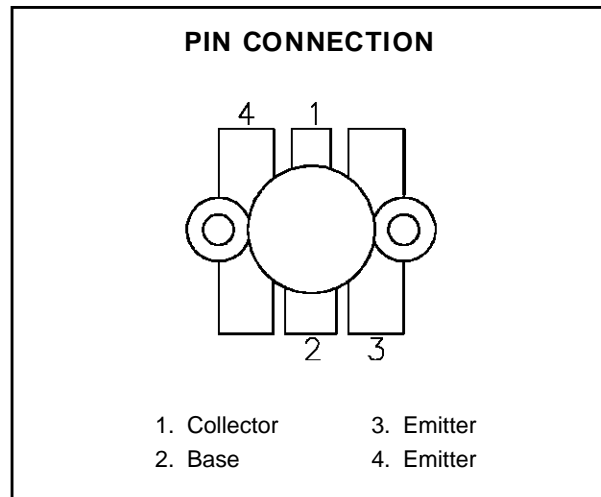
- REFRACTORY/GOLD METALLIZATION
- INTERNAL INPUT MATCHING
- METAL/CERAMIC PACKAGE
- EMITTER BALLASTED
- 20:1 VSWR CAPABILITY
- P_{OUT} = 25 W MIN. WITH 9 dB GAIN



DESCRIPTION

The SD4013 is a gold metallized epitaxial silicon NPN planar transistor using diffused emitter ballast resistors for superior ruggedness.

The SD4013 can withstand 20:1 VSWR under rated operating conditions and is internally input matched to optimize power gain and efficiency over the band.



ABSOLUTE MAXIMUM RATINGS (T_{case} = 25°C)

Symbol	Parameter	Value	Unit
V _{CBO}	Collector-Base Voltage	60	V
V _{CEO}	Collector-Emitter Voltage	30	V
V _{EBO}	Emitter-Base Voltage	3.5	V
I _c	Device Current	3.0	A
P _{DISS}	Power Dissipation	70	W
T _J	Junction Temperature	+200	°C
T _{STG}	Storage Temperature	- 65 to +150	°C

THERMAL DATA

R _{TH(j-c)}	Junction-Case Thermal Resistance	2.5	°C/W
----------------------	----------------------------------	-----	------

SD4013

ELECTRICAL SPECIFICATIONS ($T_{\text{case}} = 25^{\circ}\text{C}$)

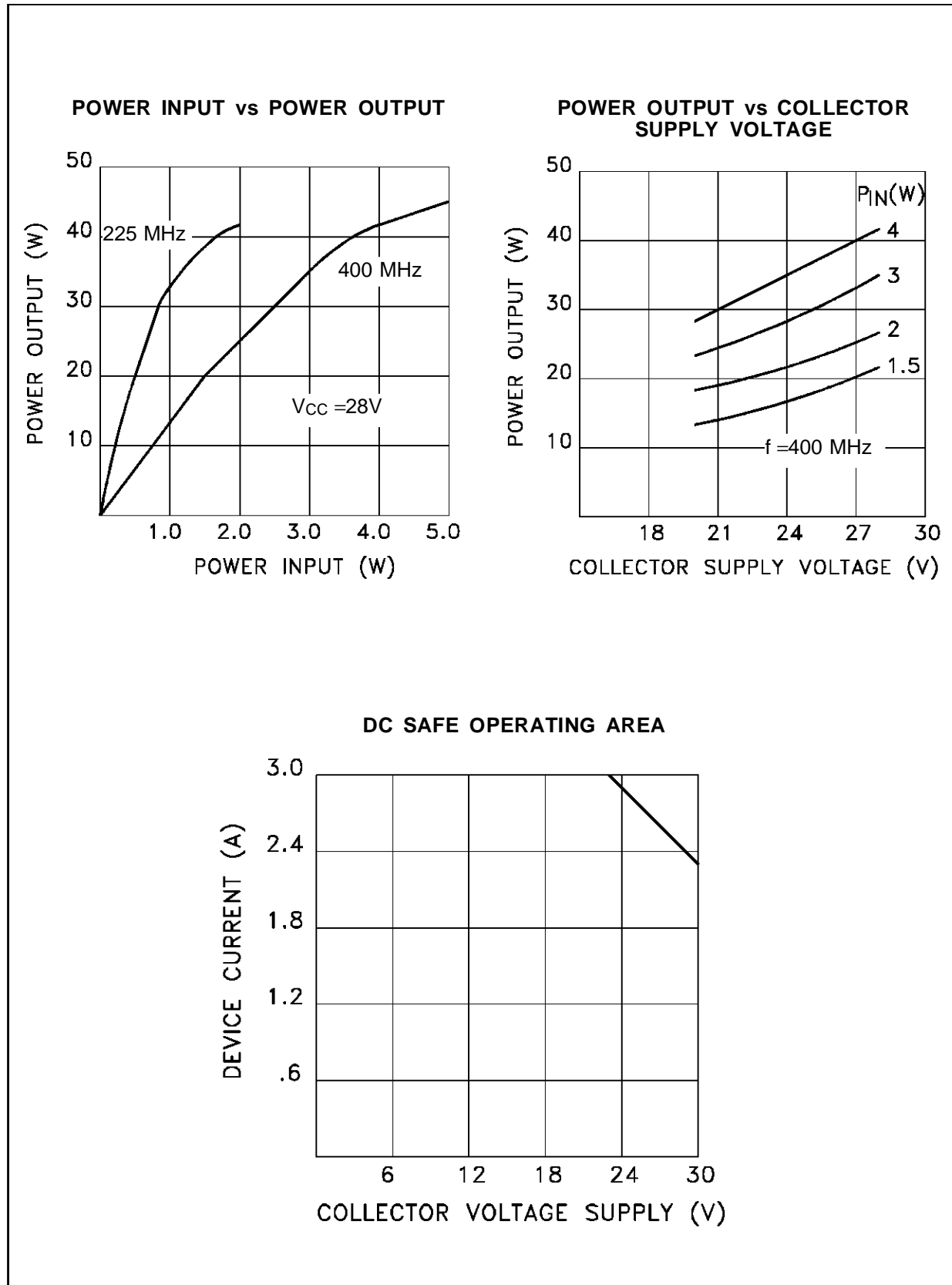
STATIC

Symbol	Test Conditions		Value			Unit
			Min.	Typ.	Max.	
BV_{CBO}	$I_{\text{C}} = 50\text{mA}$	$I_{\text{E}} = 0\text{mA}$	60	—	—	V
BV_{EBO}	$I_{\text{E}} = 5\text{mA}$	$I_{\text{C}} = 0\text{mA}$	3.5	—	—	V
BV_{CES}	$I_{\text{C}} = 50\text{mA}$	$V_{\text{BE}} = 0\text{mA}$	60	—	—	V
I_{CBO}	$V_{\text{CB}} = 30\text{V}$	$I_{\text{E}} = 0\text{mA}$	—	—	3.0	mA
h_{FE}	$V_{\text{CE}} = 5\text{V}$	$I_{\text{C}} = 500\text{mA}$	10	30	120	—

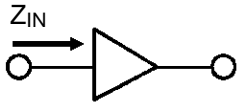
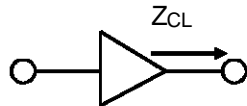
DYNAMIC

Symbol	Test Conditions		Value			Unit
			Min.	Typ.	Max.	
P_{OUT}	$f = 400\text{ MHz}$	$V_{\text{CC}} = 28\text{V}$	25	—	—	W
P_{IN}	$f = 400\text{ MHz}$	$V_{\text{CC}} = 28\text{V}$	—	—	3.15	W
η_{c}	$f = 400\text{ MHz}$	$V_{\text{CC}} = 28\text{V}$	50	55	—	%
G_{P}	$f = 400\text{ MHz}$	$V_{\text{CC}} = 28\text{V}$	9.0	10.5	—	dB
VSWR	$f = 400\text{ MHz}$	$V_{\text{CC}} = 28\text{V}$	20:1	—	—	—
C_{OB}	$f = 1\text{ MHz}$	$V_{\text{CB}} = 28\text{V}$	—	—	30	pF

TYPICAL PERFORMANCE



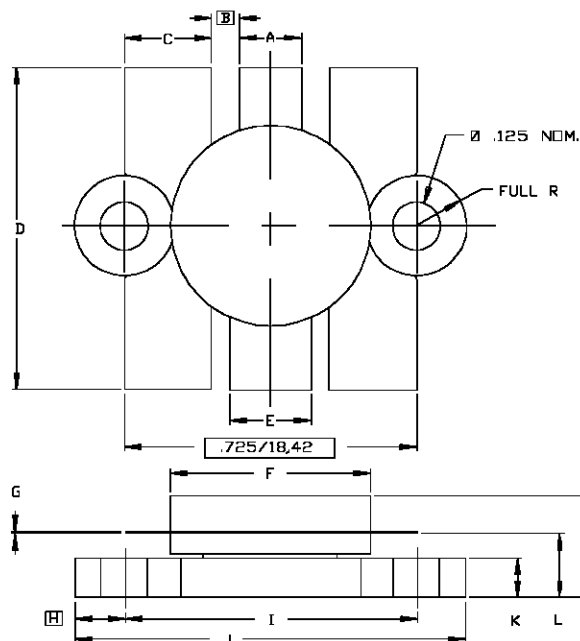
IMPEDANCE DATA

TYPICAL INPUT
IMPEDANCETYPICAL COLLECTOR
LOAD IMPEDANCE

FREQ.	Z_{IN} (Ω)	Z_{CL} (Ω)
225 MHz	$1.40 + j 2.5$	$7.55 + j 0.0$
275 MHz	$1.25 + j 3.3$	$7.5 - j 0.05$
300 MHz	$1.10 + j 4.0$	$7.5 - j 1.00$
350 MHz	$1.10 + j 4.7$	$6.8 - j 1.15$
400 MHz	$1.70 + j 5.1$	$6.0 - j 1.30$

PACKAGE MECHANICAL DATA

Ref.: Dwg. No. 12-0111



SGS-THOMSON MICROELECTRONICS			CONT'D		
	MINIMUM Inches/mm	MAXIMUM Inches/mm		MINIMUM Inches/mm	MAXIMUM Inches/mm
A	.150/3,43	.160/4,06	K	.095/2,41	.105/2,67
B	.045/1,14		L	.150/3,81	.170/4,32
C	.210/5,33	.220/5,59	M	.280/7,11	
D	.835/21,21	.865/21,97			
E	.200/5,08	.210/5,33			
F	.490/12,45	.510/12,95			
G	.003/0,08	.007/0,18			
H	.125/3,18				
I	.720/18,29	.730/18,54			
J	.970/24,64	.980/24,89			

Information furnished is believed to be accurate and reliable. However, SGS-THOMSON Microelectronics assumes no responsibility for the consequences of use of such information nor for any infringement of patents or other rights of third parties which may result from its use. No license is granted by implication or otherwise under any patent or patent rights of SGS-THOMSON Microelectronics. Specifications mentioned in this publication are subject to change without notice. This publication supersedes and replaces all information previously supplied. SGS-THOMSON Microelectronics products are not authorized for use as critical components in life support devices or systems without express written approval of SGS-THOMSON Microelectronics.

© 1994 SGS-THOMSON Microelectronics - All Rights Reserved

SGS-THOMSON Microelectronics GROUP OF COMPANIES
 Australia - Brazil - France - Germany - Hong Kong - Italy - Japan - Korea - Malaysia - Malta - Morocco - The Netherlands -
 Singapore - Spain - Sweden - Switzerland - Taiwan - Thailand - United Kingdom - U.S.A